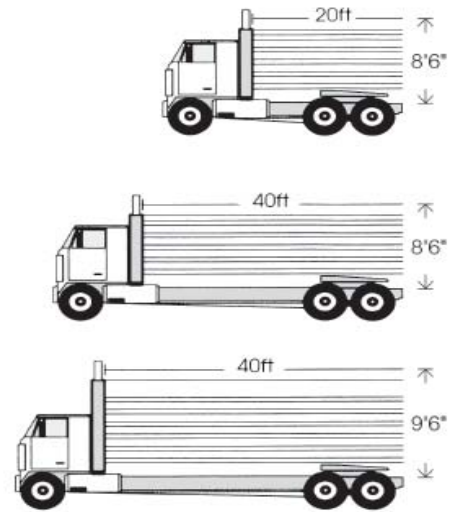


貨櫃材積表

貨櫃材積表

20' 一般櫃	L	W	H	Cuft ³	Cum ³
CONTAINER SPC.	20'	8'	8' 6"		
CONTAINER	19' 4.1"	7' 8.6"	7' 10.2"	1173	
	5.896m	2.352m	2.393m		33.2
40' 一般櫃	L	W	H	Cuft ³	Cum ³
CONTAINER SPC.	40'	8'	8' 6"		
CONTAINER	39' 5.4"	7' 8.6"	7' 10.2"	2390	
	12.025m	2.352m	2.393m		67.68
40' 超高櫃	L	W	H	Cuft ³	Cum ³
CONTAINER SPC.	40'	8'	9' 6"		
CONTAINER	39' 5.7"	7' 8.6"	8' 10.3"	2696	
	12.031m	2.352m	2.7m		76.34



國際標準尺碼對照表

Men							
suits							
EU	44	46	48	50	52	54	56
USA	34	36	38	40	42	44	46
shirts							
EU	38	39	40	41	42	43	44
USA	15	15 1/2	15 3/4	16	16 1/2	17	17 1/2
shoes							
EU	40	41	42	43	44	44.5	
USA	7	8	8.5	9.5	10	10.5	
Women							
clothes							
38	40	42	44	46	48	50	
4	6	8	10	12	14	16	
00	0	I	II	III	IV	V	
shoes							
EU	35	36	37	38	39	40	41
USA	5	6	7	8	9	10	11
belts							
EU	75	85	90	100	110	120	130
USA	30	34	36	40	44	48	52

攝氏、華氏溫度對照表

°C	°F	°C	°F	°C	°F
340	644	75	167	18	64.4
330	626	70	158	17	62.6
320	608	65	149	16	60.8
310	590	60	140	15	59
300	572	55	131	14	57.2
290	554	50	122	13	55.4
280	536	45	113	12	53.6
270	518	40	104	11	51.8
260	500	39	102.2	10	50
250	482	38	100.4	9	48.2
240	464	37	98.6	8	46.4
230	446	36	96.8	7	44.6
220	428	35	95	6	42.8
210	410	34	93.2	5	41
200	392	33	91.4	4	39.2
190	374	32	89.6	3	37.4
180	356	31	87.8	2	35.6
170	338	30	86	1	33.8
160	320	29	84.2	zero	32
150	302	28	82.4	-1	30.2
140	284	27	80.6	-2	28.4
130	266	26	78.8	-3	26.6
120	248	25	77	-4	24.8
110	230	24	75.2	-5	23
100	212	23	73.4	-6	21.2
95	203	22	71.6	-7	19.4
90	194	21	69.8	-8	17.6
85	185	20	68	-9	15.8
80	176	19	66.2	-10	14

Centigrade = $\frac{5}{9} (F-32)$ Fahrenheit = $\frac{9}{5} C + 32$